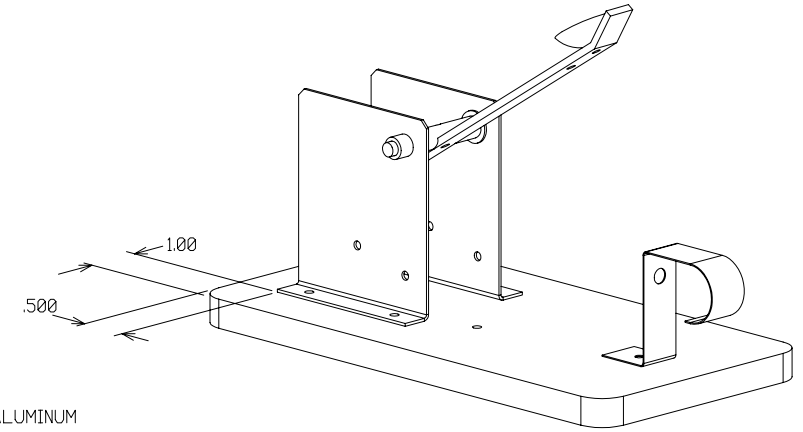
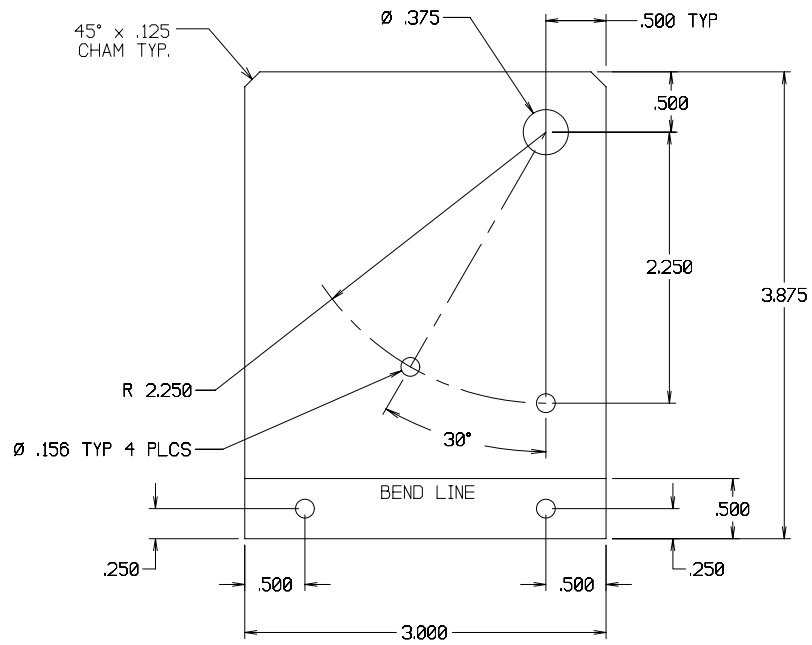


TOTAL 2 EA:
1 RIGHT SIDE
1 LEFT SIDE

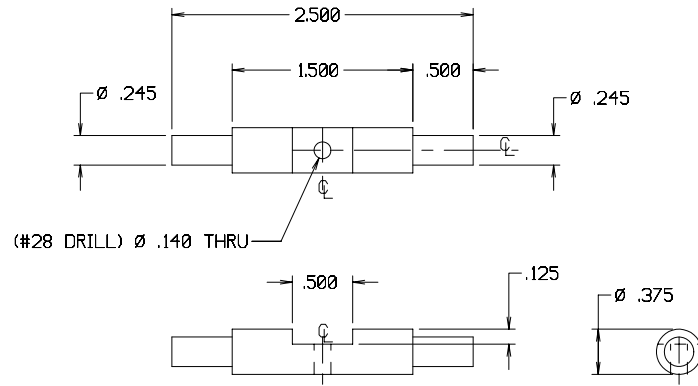
SIDE PLATES

MATERIAL : .050 THICK ALUMINUM



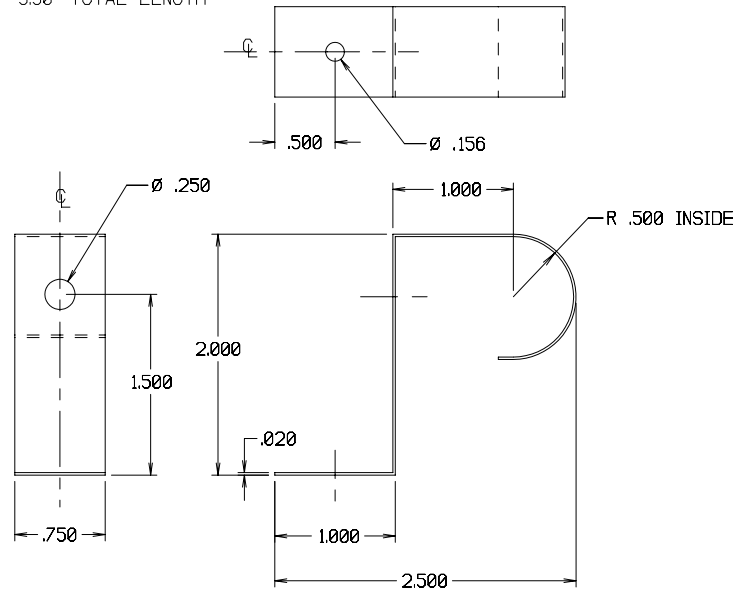
AXLE

MATERIAL : $\varnothing 3/8$ ALUMINUM



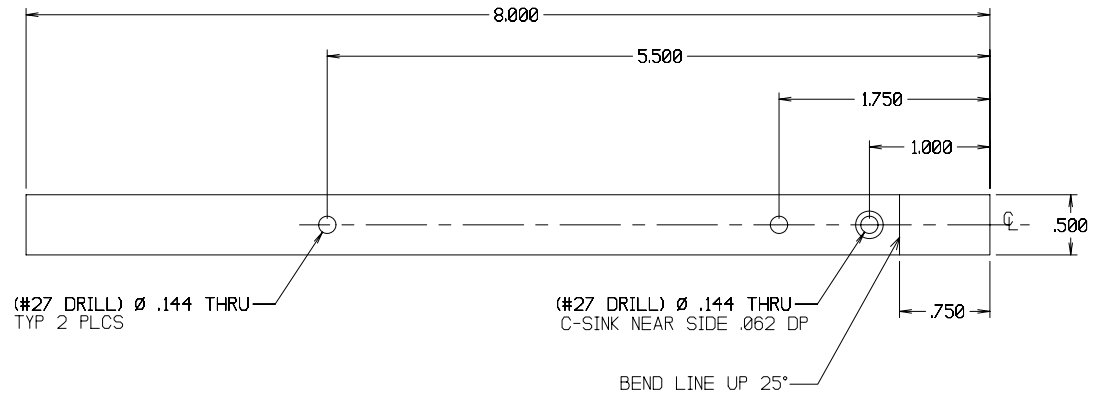
TRIGGER

MATERIAL :
STRAPPING .75" WIDE x .020 THICK
5.50" TOTAL LENGTH



ARM

MATERIAL : 3/16 x 1/2 ALUMINUM



CACT
TECH - EXPLORE
CATAPULT